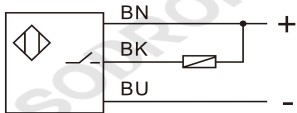
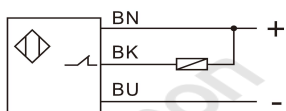
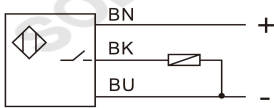
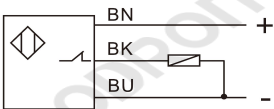
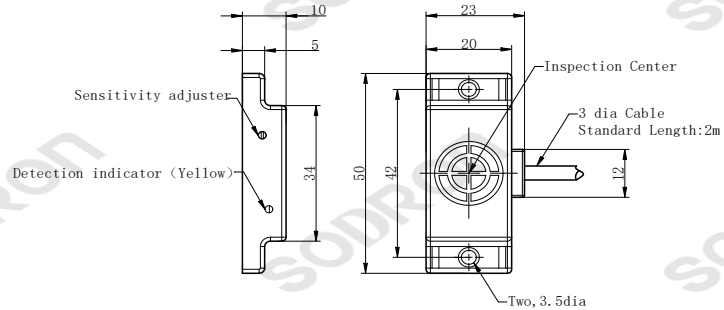


**Model**

CS10P-□D□□

Product Features

- Flat and space-saving design
- Capable of detecting non-metallic objects such as water, oil, glass, plastic, etc.
- Can be directly mounted on metal surfaces

Connection**NPN-NO****NPN-NC****PNP-NO****PNP-NC****Dimension****Technical parameters**

Type	Non-flushed			
Model	CS10P-05DNA	CS10P-05DPA	CS10P-05DNB	CS10P-05DPB
Sensing distance	5mm±10%			
Set distance	0~3.6mm			
Standard target	15X15X1mm (Iron sheet)			
Response frequency	100Hz			
Repeat accuracy	< 5% (Sensing distance)			
Output mode	NPN	PNP	NPN	PNP
Output state	NO	NO	NC	NC
Hysteresis error	3%~20% (Sensing distance)			
Current consumption	<15mA			
Power supply	10~30V DC			
Load current	<100mA			
Residual voltage	≤2V (Load current:200mA , 2m wire)			
Indicator light	Yellow LED (lights up when output is ON).			
Circuit protection	short-circuit protection、reverse polarity protection、surge absorption			
Ambient temperature	Work&Storage: -25°C~ +70°C			
Ambient humidity	Work&Storage: 35~95%			
Temperature effect	-10~55°C, within ±20% of sensing distance at 23°C			
Withstand voltage	500 VAC, 50/60 Hz, 1 min			
Insulation resistance	> 20MΩ (DC500V megger) between current-carrying parts and case			
Anti-vibration	10~55Hz, double amplitude 1.5mm, X, Y, Z axes, 2h			
Anti-impact	3 shocks of 500 m/s ² (approx. 50 G) in X, Y and Z axes			
Protection degree	IEC IP67			
Connection	Cable 2m, Φ3(3-core) Black 0.1mm ² PVC			
Material	PBT+ABS			